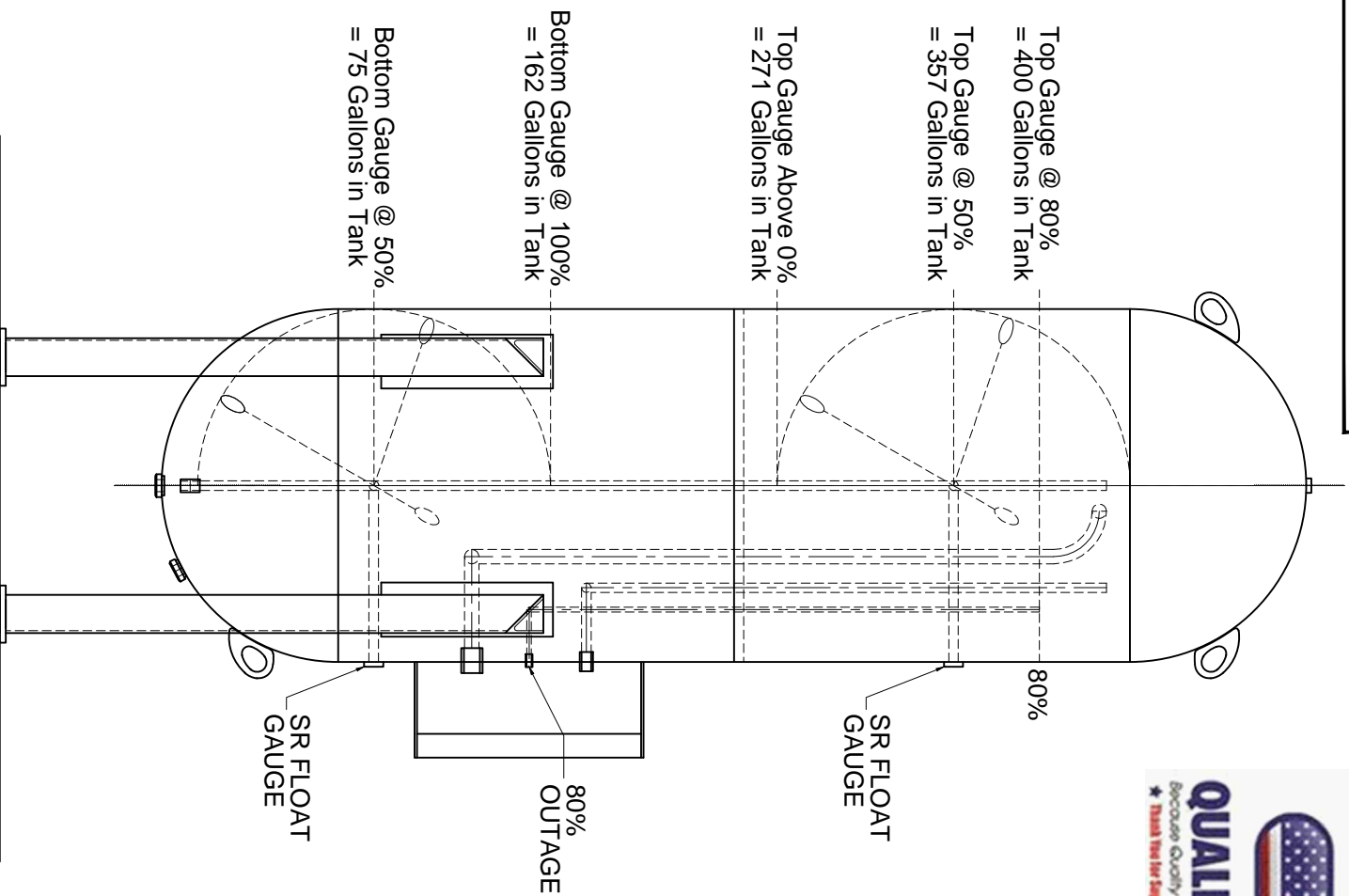


THIS VESSEL IS DESIGNED FOR THE STORAGE  
OF LIQUEFIED PETROLEUM GAS ONLY



Gauge	% on dial	Approximate gallons in tank
Top Gauge	80%	400
Top Gauge	50%	357
Top Gauge	Above 0%	271
Bottom Gauge	100%	162
Bottom Gauge	50%	75

Vertical 500 Gallon Dispenser Levels

**QUALITY STEEL CORPORATION**  
**Float Reading Detail**

DATE	DRAWN BY	APPROVED BY	REVISION	DRAWING NO.
07/27/16	TWV	TWV	0	VE-500 FLT